

Nanodyne Replacement Illuminator for Nikon MM40 20W Microscope Installation Instructions - Included Items

\*Note that the illuminator mounted adjustment potentiometer is standard on this unit. Ask about a remote adjustment pot if desired.

**Additional Items Included But Not Shown:**

PN 10456 Hex Key 1.5mm (for set screws in OEM collector lens tube)

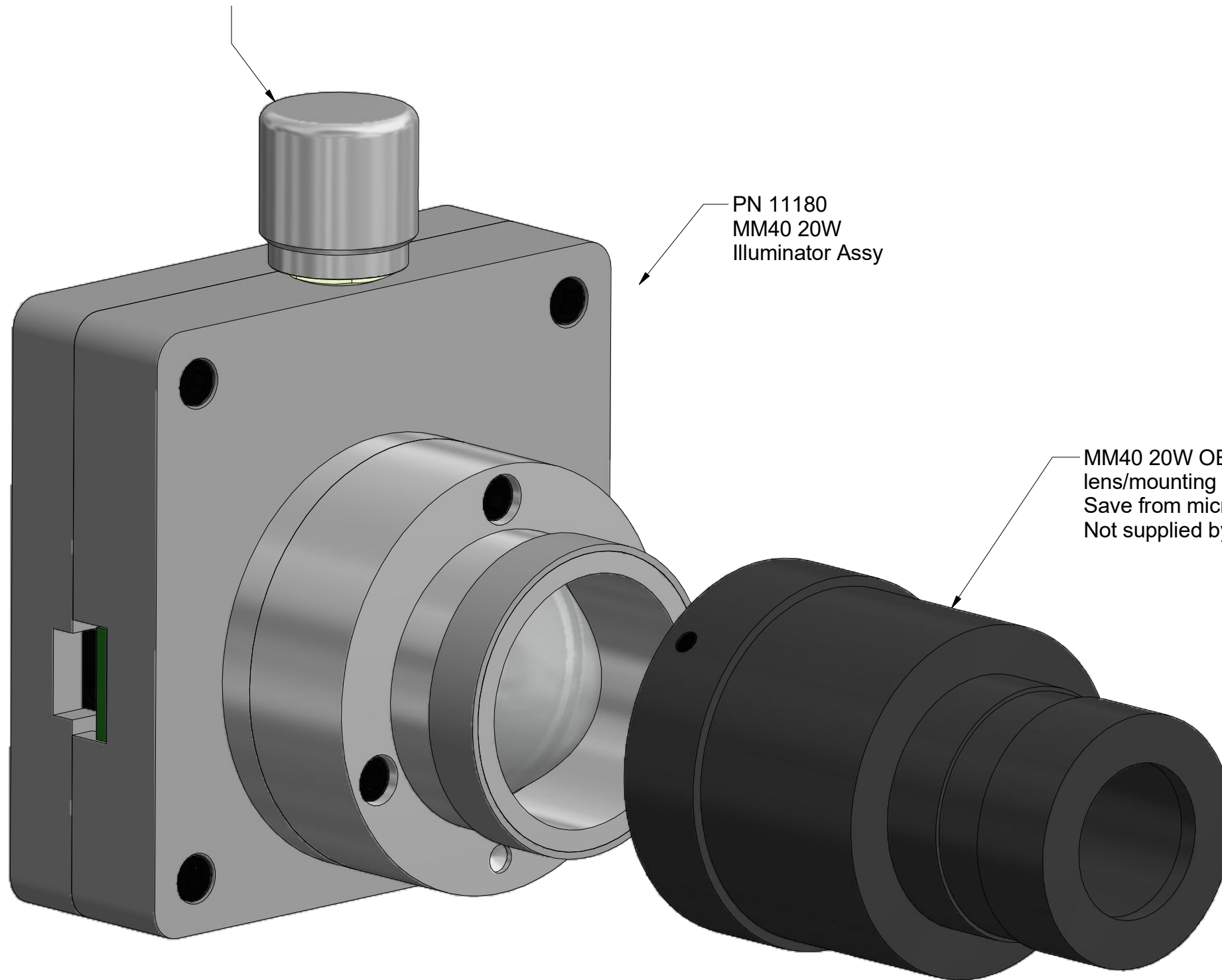


PN 10733 Power Supply - XP Power 5V 1A and PN 10734 Cable 6 foot USB A to 1.35mm ID/3.5mm OD RA Barrel Plug.

The illuminator may be powered by plugging the cable into the power supply provided, or into a suitable USB port on a computer or other device.



PN 10736 Rubber plug to block unused AC power receptacle.



PN 11180 MM40 20W Illuminator Assy

MM40 20W OEM collector lens/mounting tube. Save from microscope. Not supplied by Nanodyne.

Power supplies subject to substitution without notice due to availability issues and changes in regulations.

Wayne Bonin	2/19/2019
PN 11181 Nikon MM40 20W illuminator System Installation	REV 2
SHEET 1 OF 3	

Nanodyne Replacement Illuminator for Nikon MM40 20W Microscope Installation Instructions - Step 1. Remove old lamp housing and attach lens tube to the new illuminator.



Photo 1a



Photo 1b



Photo 1c

Remove the original illuminator lamp housing and lens tube from the microscope. Remove the lens tube from the lamp housing (use the 1.5mm hex key provided)



Photo 1d

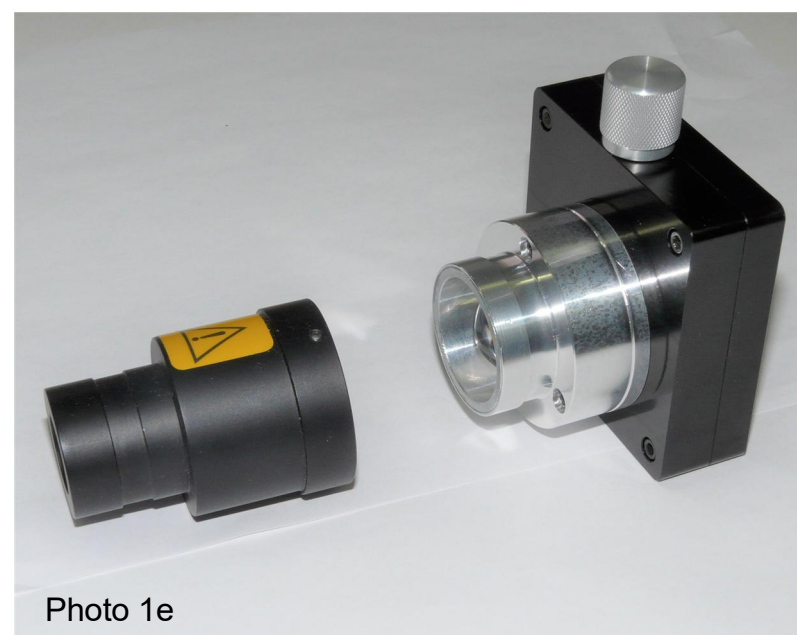


Photo 1e



Photo 1f

Remove the 6 items shown above from the OEM lens tube, starting with the metal wire snap ring. Attach the gutted tube to the Nanodyne illuminator.

Wayne Bonin	2/19/2019
PN 11181 Nikon MM40 20W illuminator System Installation	REV 2
SHEET 2 OF 3	

Nanodyne Replacement Illuminator for Nikon MM40 20W Microscope Installation Instructions - Step 2. Place Nanodyne illuminator and connect new power supply.



Replace the OEM lens tube (not with the Nanodyne illuminator attached) in the microscope as it would normally be secured. Connect the new power supply to the connector on the side of the illuminator. (See left photo above). It is now ready to operate using the intensity control on the illuminator.

The unit is fully off when the control knob is turned CCW. It may or may not have a noticeable click when turned off. Do not force it.

The heat warning symbols on the OEM lens tube are no longer relevant and can be removed, ignored, or covered up as desired.

Wayne Bonin	2/19/2019
PN 11181 Nikon MM40 20W illuminator System Installation	REV 2
SHEET 3 OF 3	